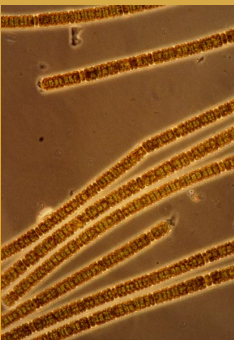
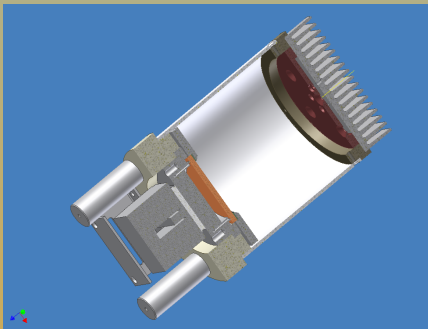




## Mini incubator

Controls gas composition, temperature and light intensity for micro biological experiments

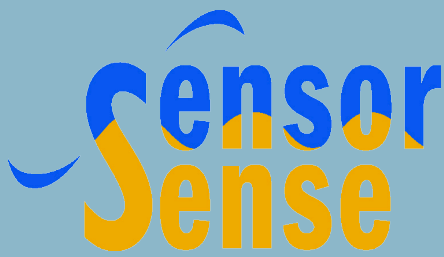


**Sensor Sense specializes in compact, highly sensitive trace gas detectors. Our user friendly detectors are robust and have a fast response time. This makes them suitable for real time measurements.**

The compact mini incubator is suitable for on-line investigations on small amounts of biological samples under different light, temperature and gas composition conditions.

- Ideal for microbiology or cells culture applications
- Sea water resistant sample cell (e.g. for cyanobacteria)
- Includes gas mixer for three gases
- External dimensions: diameter 12 cm, height 24 cm
- Excellent temperature and light stability and uniformity
- Wide temperature range from 0°C to 45°C
- Light intensity from 0 to 1400  $\mu\text{mol m}^{-2} \text{s}^{-1}$
- Computer programmable

The mini incubator is designed to be used in combination with the ETD-300, however, it can also be operated as a stand alone device.



## Datasheet

### Technical Data

<b>Gases*</b>	Calibrated for mixing of Nitrogen, Oxygen and Acetylene
<b>Flow N<sub>2</sub>*</b>	0-30 l/h
<b>Flow O<sub>2</sub>*</b>	0-15 l/h
<b>Flow C<sub>2</sub>H<sub>2</sub>*</b>	0-3 l/h
<b>Accuracy</b>	0.2% FS for all gases
<b>Number of flow channels</b>	6
<b>Modes</b>	Continuous flow, stop and flow
<b>Response Time (T<sub>1/e</sub>)</b>	300 ms, depending on cuvettes
<b>Gas supply pressure</b>	0.5-4 bar
<b>Over pressure valve</b>	Opens at 5 bar
<b>Gas filter</b>	Filters particles >7µm
<b>Dimensions</b>	50x40x10cm (LxWxH) (19" rack configuration, 2U)
<b>Operating temperature</b>	5-40 °C
<b>Humidity</b>	0-95 % (non-condensing)
<b>Power input</b>	90-264 VAC, 47-63 Hz
<b>Power Consumption</b>	<60 W
<b>Gas input/output</b>	Quick fitting connectors for 1/8" OD tubing *other gases on request

### Sensor Sense B.V.

Heyendaalseweg 135  
6525 AJ Nijmegen  
The Netherlands

T: +31 (0)24 3652338  
F: +31 (0)24 3653311

sales@sensor-sense.nl  
www.sensor-sense.nl